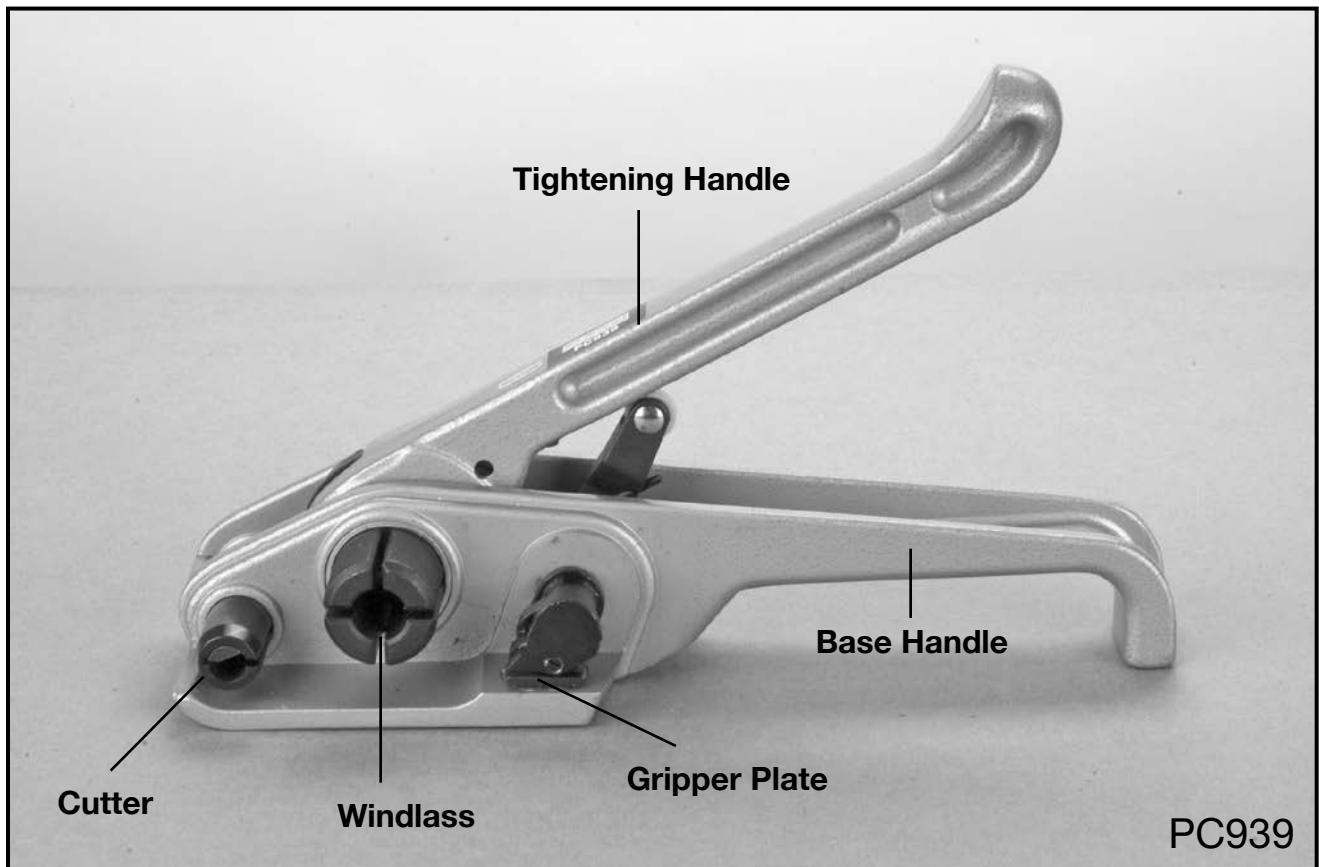

Instruction Manual

PC939/PF993

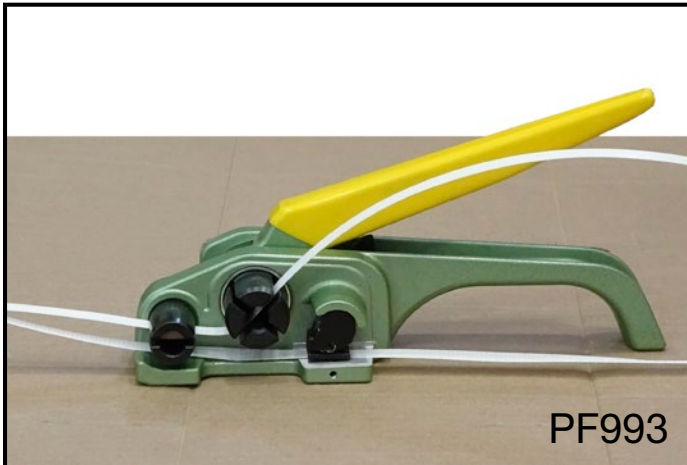
Polypropylene and Polyester Strapping Tensioners



KLETON

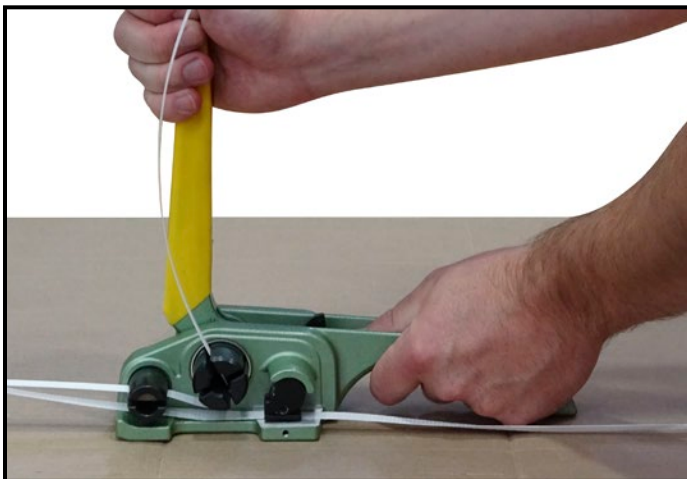
PC939/PF993 INSTRUCTIONS

How to use a polypropylene & polyester strapping tensioner



1. Threading tensioner

- Wrap both ends of strapping around product.
- Squeeze handle and base together.
- Insert the shorter end of strapping under the gripper plate and cutter wheel leaving approximately 5" of strapping off the front end.
- Release handle and base.
- Feed the other end through the cutter wheel and up through the windlass.
- Put strapping as tight as possible.



2. Tensioning

- Move tightening handle forward and back to begin tensioning.
- Continue back and forth motion until strapping has reached desired tension.

3. Placing the seal

- Seal should be placed open side down on top of the ends of strapping.

4. Sealing

- Close nose of sealer around seal.
- Crimp tightly around strapping.

5. Removing excess

- Squeeze handle and base together to cut strapping.
- Slide tool off to the right.



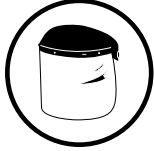
Maintenance

Tools do need to be cleaned and maintained periodically with a steel brush or dry compressed air. Lubricate all moving parts with light machine oil.

PC939/PF993 Safety Instructions



1. This tool (or cutter) was designed and manufactured for safe handling during operation. For effective use of this product, please read and follow all safety, maintenance and operating instructions.



2. Always wear, eye face and hand protection when operating this tool



3. Do not put hands or other parts of the body between the strap and the package.



4. When cutting the strap, hold the upper portion and stand at a safe distance away from the strap, as the lower strap will snap forward.

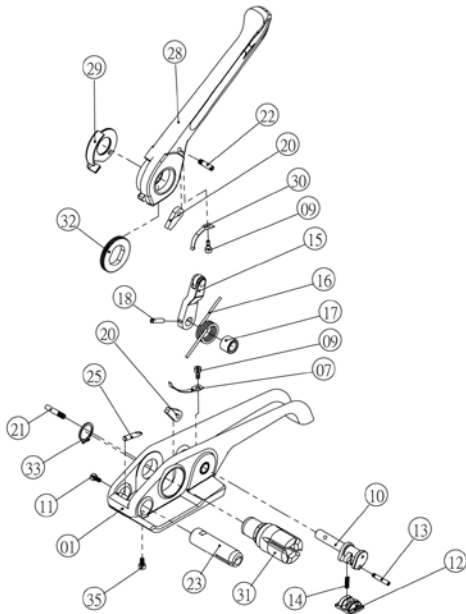


5. Do not stand in line with the strap while it is being tensioned, the strap could break if over tensioned.



6. Use the original packing products replacement parts.

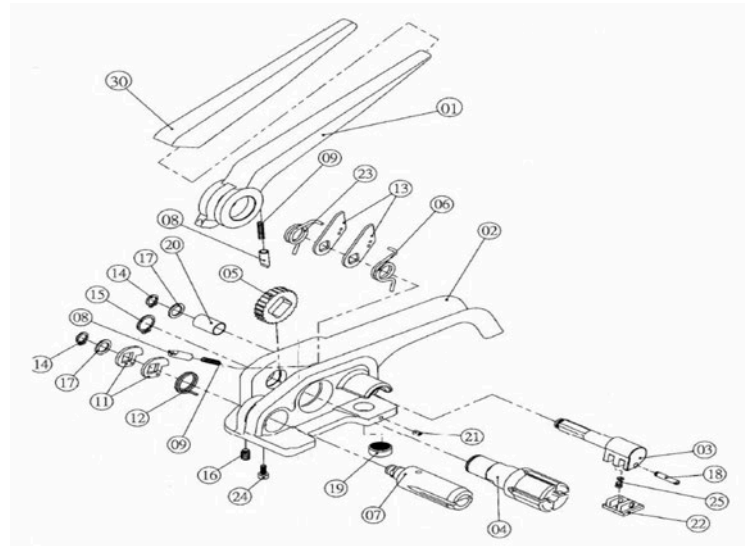
PC939 Parts List



Part No.	Order No.	Description	Qty
1		Base	1
7		Base toggle spring	1
9		Screw M4x10	2
10	PC968	Leg	1
11		Screw M4x8	1
12	PC969	Gripper	1
13	PC970	Gripper screw	1
14	PC971	Foot spring	1
15	PC972	Lever release assembly	1
16	PC973	Main spring	1
17		Main spring bushing	1
18		Spring pin	1

Part No.	Order No.	Description	Qty
20	PC977	Handle toggle	2
21		Base shaft	1
22		Handle shaft	1
23	PC980	Cutting blade and housing	1
25	PC982	Blade lever	1
28		Handle	1
29		Nose hook	1
30		Handle spring	1
31		Windlass	1
32	PC989	Ratchet wheel	1
33		Clip ring	1
35		Screw M4x8	1

PF993 Parts List



Part No.	Description	Qty
1	Handle	1
2	Base	1
3	Leg	1
4	Windlass	1
5	Ratchet Wheel	1
6	Gripper Spring (L)	1
7	Cutting blade and housing	1
8	Ratchet Stop	2
9	Ratchet Spring	2
11	Cutter Cam	2
12	Cutter Spring	1
13	Gripper Cam	2
14	Retaining Ring	2

Part No.	Description	Qty
15	Retaining Ring	1
16	Screw	1
17	Washer Support	2
18	Gripper Screw	1
19	Base Plug	1
20	Spacer	1
21	Screw	1
22	Gripper	1
23	Gripper Spring (R)	1
24	Screw	1
25	Leg Spring	1
30	Plastic Sleeve	1